

# S-5!®

## The Right Way!®



RibBracket I-V™

### RibBracket I-V™

The RibBracket I-V series features five different brackets for use on exposed-fastened, trapezoidal rib metal roof profiles. These economical, sheeting-only attachments can be placed anywhere along the ribs.

#### PV System Mounting

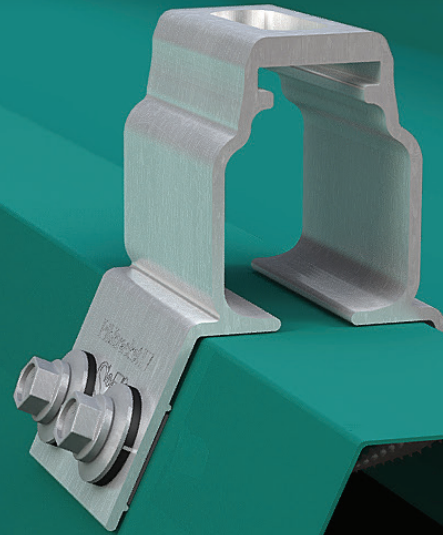
Designed to pair with the PVKIT® for (rail-less), solar PV mounting, RibBrackets offer flex-to-fit legs, ensuring proper fit on a variety of trapezoidal shapes.

#### Module and MLPE Flexibility

RibBracket I-V is not limited to the location of the building substructure, offering you infinite flexibility for module placement and can be used to mount microinverters and other module-level power electronics. Use the slotted top hole for space correction and to easily square up the modules.

#### Angled Attachments Convert Pull-Out to Shear Force

The RibBracket design offers you a substantially stronger mounting solution by placing fasteners in shear rather than pull-out – achieving holding strength 5 times that of direct pull-out fastening.



#### Features and Benefits:

- Flex-to-fit legs ensure proper fit
- Four attachment points for greater holding strength
- 1-inch slotted hole provides adjustability
- Large channel above rib for wire management
- Bracket allows 4 inches (100 mm) of air space (to glass) above roof

The right way to attach almost anything to metal roofs!

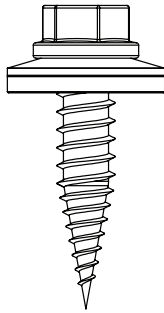
\* Do not use RibBracket I-V to mount L-Foot attached rails.



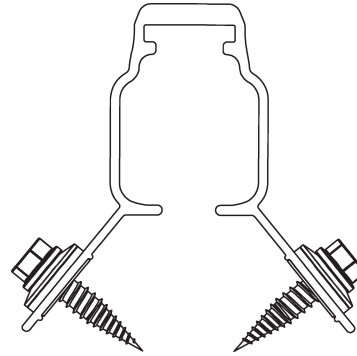
888-825-3432 | [www.S-5.com](http://www.S-5.com)

**RibBracket load path turns direct pull-out into shear.**

**Uplift Load in Pull-Out**

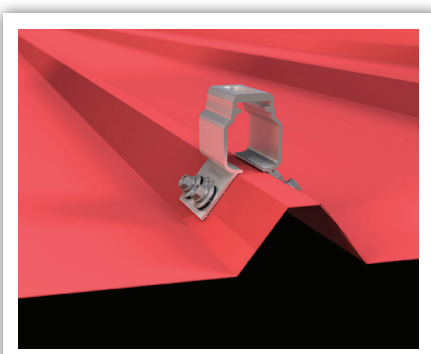


**Uplift Load Path in Shear**



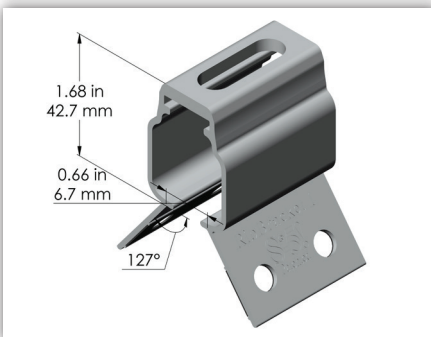
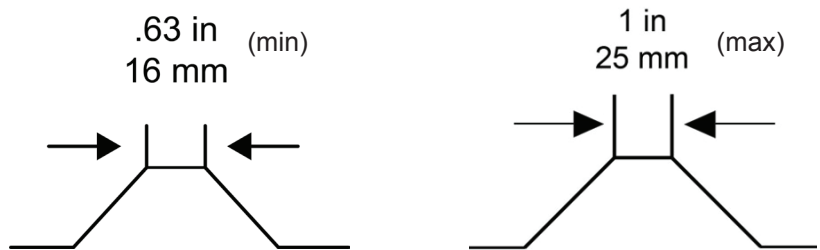
In the thin gauges of sheet metal from which exposed-fastened roofs are made, the pull-out strength of fasteners is considerably less than shear strength. **Shear strength can be utilized only with special bracket designs that convert direct force into shear force.**

## RibBracket I



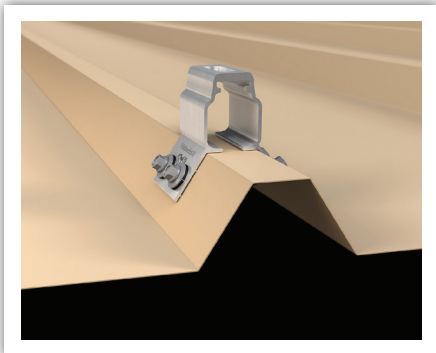
**Compatible top rib dimension range:**

.63 in to 1 in (16 mm to 25 mm)



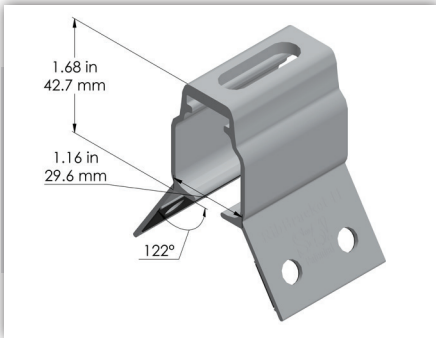
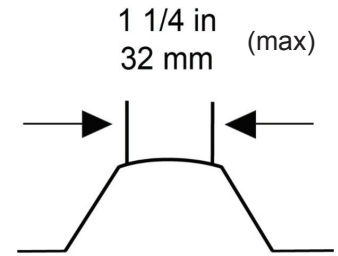
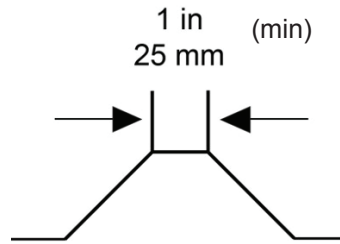
Designed for popular Hawaiian profiles, such as HPM Custom 4-Rib, HPM Custom 6-Rib, and similarly-dimensioned narrow ribs.

## RibBracket II



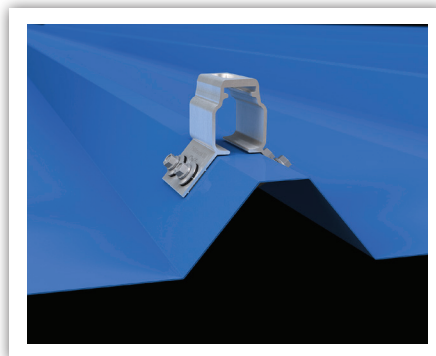
**Compatible top rib dimension range:**

1 in to 1 ¼ in (25 mm to 32 mm)



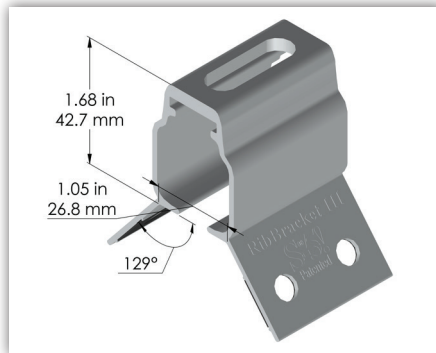
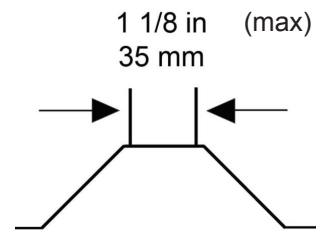
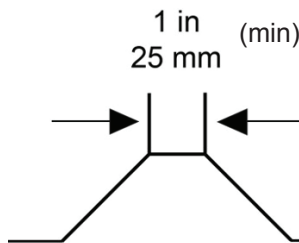
Designed for popular African and Australian profiles, such as Lysaght Trimdek<sup>®</sup> 1015, Safintra Trimflute 1015, and similarly-dimensioned profiles.

## RibBracket III



**Compatible top rib dimension range:**

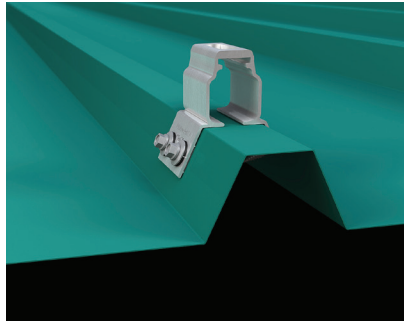
1 in to 1 ⅛ in (25 mm to 35 mm)



Designed for popular North American and Indian profiles, such as PBR Panel, R-Panel, Kirby Roof (KR), and similarly-dimensioned profiles.

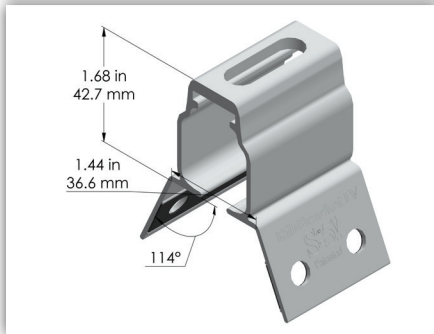
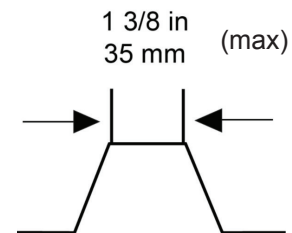
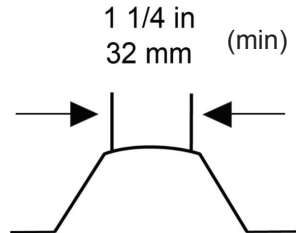
A structural aluminum attachment bracket, RibBracket I-V is compatible with most common metal roofing materials and most trapezoidal rib profiles found worldwide.

## RibBracket IV



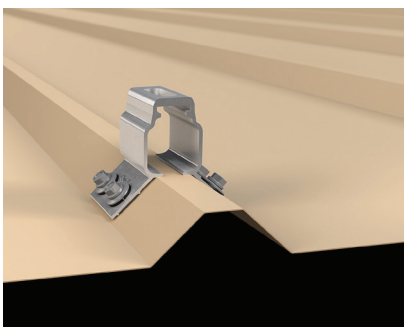
**Compatible top rib dimension range:**

1 ¼ in to 1 ⅜ in (32 mm to 35 mm)



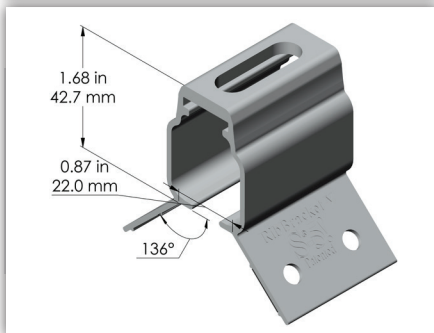
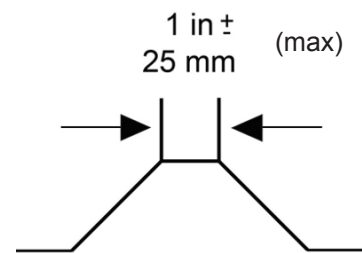
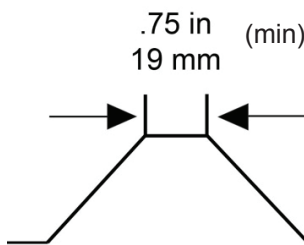
Designed for popular African and North American profiles, such as Safintra IBR, KingSpan<sup>®</sup> KS1000, and similarly-dimensioned profiles.

## RibBracket V



**Compatible top rib dimension range:**

.75 in to 1 in (19 mm to 25 mm)



Designed for Ternium TR-101 and similarly-dimensioned profiles.